

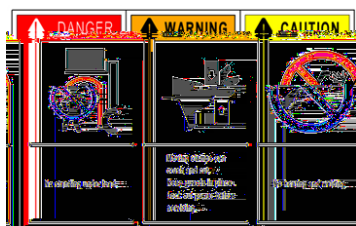
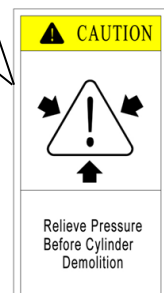
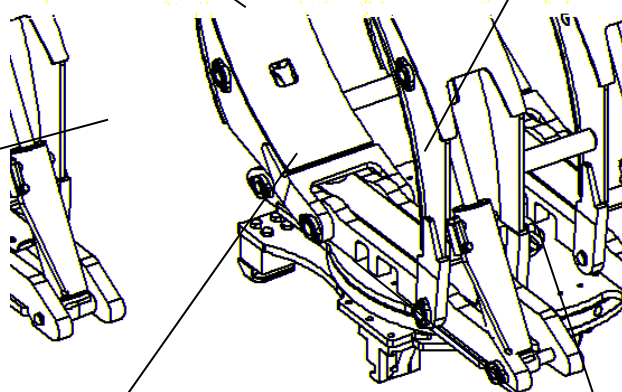
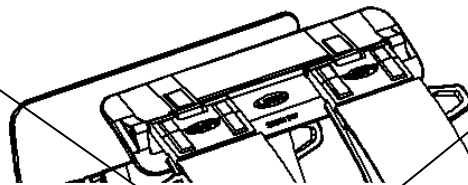
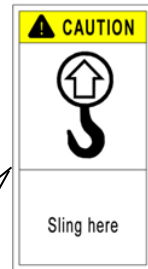
Contents

- **1**
- **6**
- **8**
- **14**
- **18**
- **20**
- **23**

Roll Clamp User Manual

C

)



■

■ 0

■ C

■ F

7

■

!

,

F

" 0

D



"!

■ T

0

■ F

D

:

■ 3

C



■ 8

■ B

C



■ F

■ 0

0

;

B

)

■ 8

■ 8

■ 8

5

C

C

5

1

7

6

1

8

C

0

C



1

D

!

E

C

Model	Pressure value bar		Flow value L/min		
			Rotary motion		
	min	max	min	recommend	max
ZJ10R/11R/12R/13R/13H	140	160	19	26	38
ZJ22H/25H/27H/33H	140	160	19	38	57
ZJ38H/35R/42H/45R	140	160	38	57	76

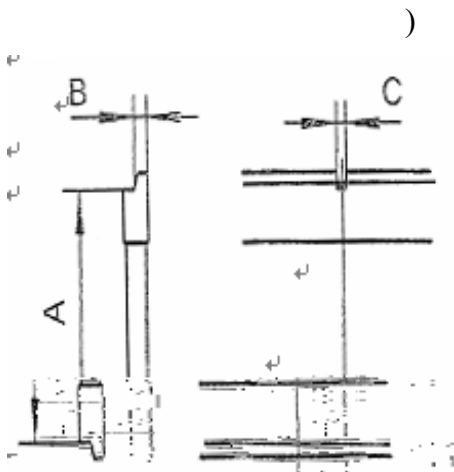
3)

5

5

C

8B !"!' !



Installation level	A		B		C	
	min	max	min	max	min	max
	380	381	15	16	15.2	16.8
	474.5	476	20.5	21.5	18.2	19.8
	595.5	597	24.5	25.5	18.2	19.8

Figure 1

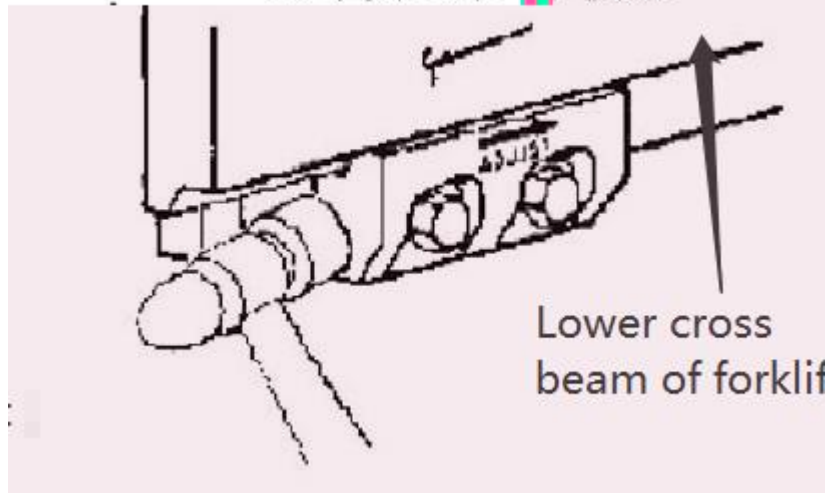
)1

" 2

C

!

叉车货叉架下横梁



" 2

)

!% :

"

!% :

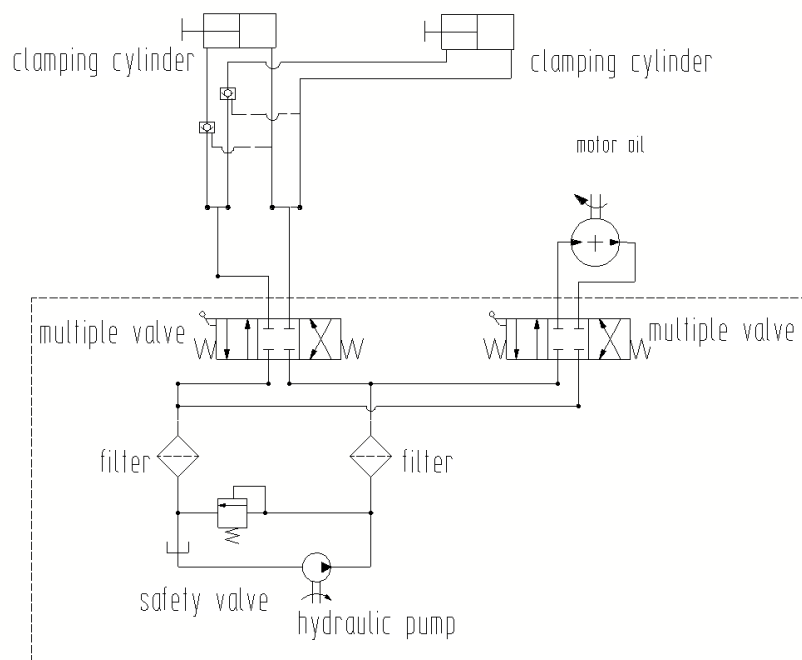
B

7

C

C

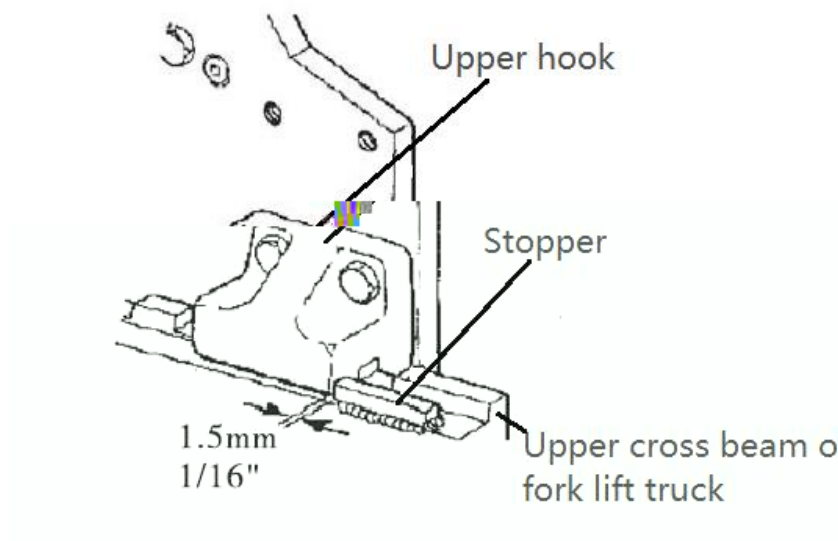
)



" ' 0

" (F

!



Upper hook Stopper Upper crossbeam of the forklift carriage

" B

")

2

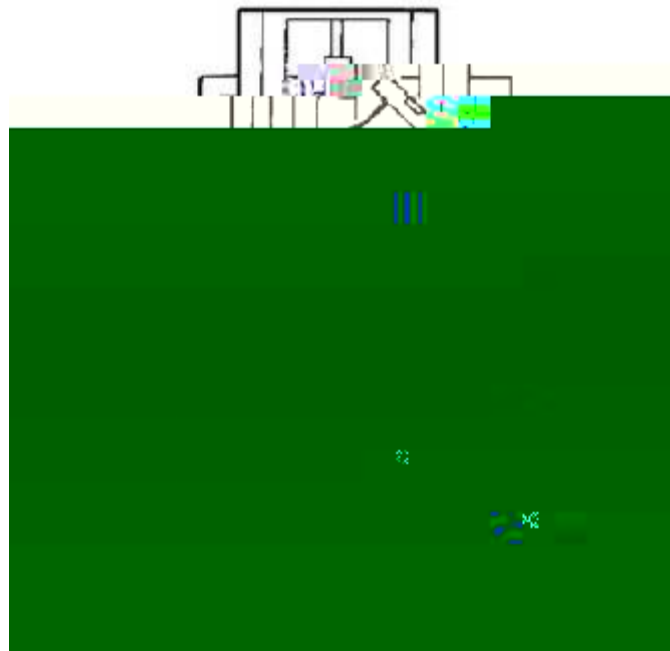
)

! 7

C

5

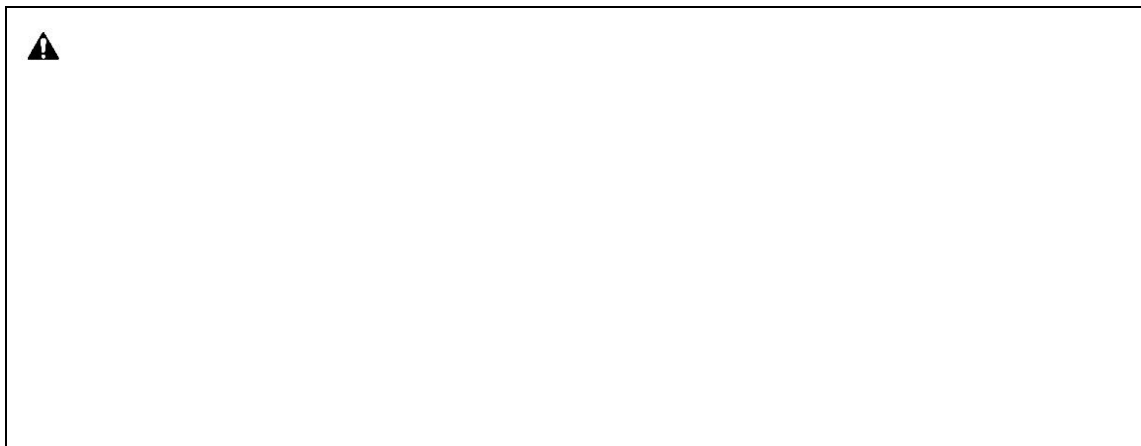
)C



Turn to any point of 45° to adjust the short arm

" 2

2



3

5	0	E
---	---	---

)

Roll Clamp User Manual

A	2	1
	0	5
7	7	1
	A	5

1

)C

! C

"C

0

)

D

;

5

4

B

4

F

B

A

D

C

%0

0

"

'5

(5

)

D

F

:

F

"

F

"

5

:

! ;

"

C

)

C

)

C

C

C

2

C

3

! !)

!

2

2

2

)0

2

2

6; B04 ' F (

! !

C

!

)

2

C

7

2

8

2

!

D

8

C

)F

5

5

Roll Clamp User Manual

7)
8
% 5)
7)
B)
B)
% B)
8)
0)
8)
7)
0)
7)
%/%))
4)

2

% ;)

Roll Clamp User Manual

C 0 ; 4
C 0 2 ; C
C

Roll Clamp User Manual

")

0 ; 4 C 0 2 ;

0

! C 0 ; 4 C 0 2 ;

" 0 ; 4 C 0 2 ;

0 ;

4 C 0 2 ;